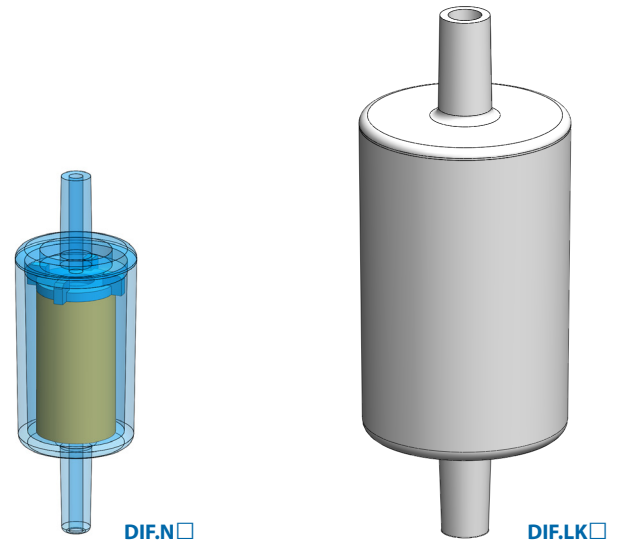


**Materials** Polyamide & PVDF  
**Pressure** Up to 115 psi  
**Ports** 1/4" or 1/2" Spigots  
**Element** 12.32.□ & 25.64.□

Disposable In-Line Filters (DIF) consist of permanently welded housings with encapsulated microfiber filter elements. This makes them ideal for portable analysers and other analysis systems requiring a robust and easily replaceable filter.

A choice of body materials makes them suitable for a wide range of chemical environments. The units on this page are designed for particulate removal in gas and liquid applications. The K type filter element is fitted as standard, but other element types can also be installed.

Replace the □ in the part number with the grade required, for example DIF.N5K



## Technical Specifications

Housing Model (1)	DIF.N□	DIF.N□.6mm	DIF.K□	DIF.K□.6mm	DIF.LN□	DIFLN□.201	DIF.LK□	DIF.LK□.201
Port Size	Ø 1/4" Spigot	Ø 6mm Spigot	Ø 1/4" Spigot	Ø 6mm Spigot	Ø 1/2" Spigot	1/4" NPT(M)	Ø 1/4" Spigot	1/4" NPT(M)
<b>Maximum Pressure, psi</b>	115	115	65	65	115	115	65	65
<b>Maximum Temperature, °F</b>								
At 0 psi	230	230	230	230	230	230	230	230
At Maximum Pressure,	120	120	120	120	120	120	120	120
<b>Materials of Construction (2)</b>								
Body	PA	PA	PVDF	PVDF	PA	PA	PVDF	PVDF
Filter Element Size	12.32	12.32	12.32	12.32	25.64	25.64	25.64	25.64
Standard Element (3)	KType	KType	KType	KType	KType	KType	KType	KType
<b>Principle Dimensions in inches</b>								
Diameter	1.00	1.00	1.00	1.00	2.00	2.00	2.00	2.00
Body Length	1.70	1.70	1.70	1.70	2.95	2.95	2.95	2.95
Spigot Length	0.79	0.79	0.79	0.79	0.94	0.94	0.94	0.94
Volume, cc	11	11	11	11	110	110	110	110

### Notes

- (1) Replace the □ with the grade required, e.g. DIF.N5K
- (2) Material abbreviations, PA = Polyamide, PVDF = Polyvinylidenedifluoride
- (3) Other binder types are available to order.