

SH017

SP76 Modular Filter Housing

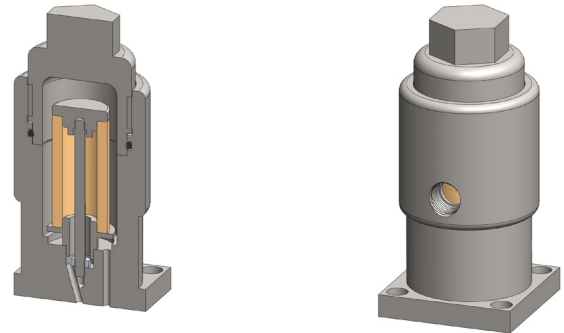
Materials	316L Stainless Steel
Pressure	5000 psi
Ports	SP76 & 1/8"
Element	10.32.□

The SH027 series SP76 filter housings are designed for SP76 compliant modular sample systems. The housings can be used for particulate or coalescing applications. Coalescing housings have a drain port. If a housing is used for coalescing any liquid in the sample will flow to the 1/8" NPT drain port.

The coalescing housings should only be used on a substrate that is mounted in the horizontal plane with the drain port at the lowest point below the inlet and outlet ports.

The housing design allows a quick change of the element as all the line connections are arranged in the body of the housing.

The housings are free from welds and comply with NACE MR-01-75 and are CE marked in accordance with PED 97/23/EC.



Technical Specifications

Housing Model	SH017.L01	SH017.R01	SH017.L11	SH017.R11
Inlet/Outlet Connections	SP76	SP76	SP76	SP76
Drain	None	None	1/8" NPT	1/8" NPT
Maximum Pressure, psi	5000	5000	5000	5000
Maximum Temperature, °F (1)	390	390	390	390
Flow Direction	Left to Right	Right to Left	Left to Right	Right to Left
Substrate Plane	Any	Any	Horizontal	Horizontal
Inlet	Hole 1	Hole3	Hole 2	Hole 2
Outlet	Hole 2	Hole 2	Hole 3	Hole 1
Materials of Construction (2)				
Head, Bowl & Internals	316L SS	316L SS	316L SS	316L SS
Seals (3)	Viton	Viton	Viton	Viton
Filter Element Code (4)	10.32.□	10.32.□	10.32.□	10.32.□
Principle Dimensions in inches				
Diameter	1.50	1.50	1.50	1.50
Height	3.25	3.25	3.25	3.25
Volume, cc	15	15	15	15
Weight, lbs	0.65	0.65	0.65	0.65

Notes

- (1) Above 390°F the pressure rating is reduced, consult us for the exact rating at any specific temperature
- (2) Material abbreviations, 316L SS = 316L Stainless Steel
- (3) Add suffix for other seal types, PTFE = .T, Chemraz = .C, Nitrile = N, Kalrez = .K, EPDM = .E, Silicone = .S, (e.g. SH017.R11.T)
- (4) Replace the □ with the grade required, e.g. 10.32.5CK