

**Materials** 316L Stainless Steel  
**Pressure** 5000 psi  
**Ports** 1/8", 1/4" & 1/2"  
**Element** 12.32.□

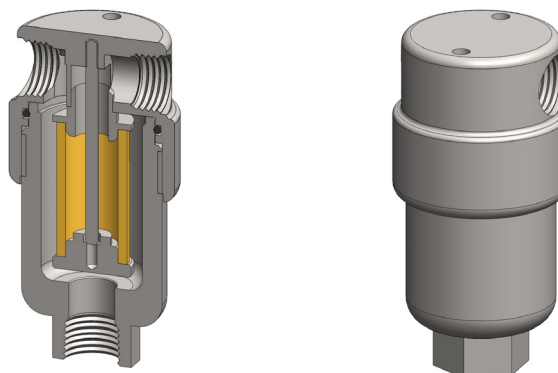
SS117 series filter housings are specified for 1/8" & 1/4" line size applications where response times are critical. When the flow rate or contamination levels are higher the SS127 series housings should be considered.

Higher pressure versions are available, see the SS119 series for applications up to 10000 psi.

Standard housings have NPT ports and a Viton seal. Other seal types are available as an option. BSPT and BSPP port types are also available.

The housings are free from welds and comply with NACE MR-01-75 and are CE marked in accordance with PED 97/23/EC.

These housings can also be supplied in a wide range of exotic materials, such as Hastelloy, Monel, Titanium etc.



## Technical Specifications

Housing Model	SS117.101	SS117.111	SS117.201	SS117.221	SS117.401	SS117.421
Port Size	1/8" NPT	1/8" NPT	1/4" NPT	1/4" NPT	1/2" NPT	1/2" NPT
Drain	None	1/8" NPT	None	1/4" NPT	None	1/4" NPT
Maximum Pressure, psi (1)	5000	5000	5000	5000	5000	5000
Maximum Temperature, °F (2)	390	390	390	390	390	390
<b>Materials of Construction (3)</b>						
Head, Bowl & Internals	316L SS	316L SS	316L SS	316L SS	316L SS	316L SS
Seal (4)	Viton	Viton	Viton	Viton	Viton	Viton
Filter Element Code (5)	12.32.□	12.32.□	12.32.□	12.32.□	12.32.□	12.32.□
Adsorber Cartridge Code (6)	12.32.AS□	12.32.AS□	12.32.AS□	12.32.AS□	12.32.AS□	12.32.AS□
<b>Principle Dimensions in inches</b>						
Diameter in inches	1.40	1.40	1.40	1.40	1.40	1.40
Height in inches	3.10	3.10	3.10	3.10	3.10	3.10
Volume, cc	25	25	25	25	25	25
Weight, lbs	0.85	0.85	0.85	0.85	0.85	0.85
<b>Accessories</b>						
Support Core	SCSS11	SCSS11	SCSS11	SCSS11	SCSS11	SCSS11
Mounting Bracket	MBSS11	MBSS11	MBSS11	MBSS11	MBSS11	MBSS11

### Notes

- (1) Above 400°F the pressure rating is reduced, consult us for the exact rating at any specific temperature
- (2) Maximum temperature 400°F using standard seal. For temperatures up to 615°F use a Chemraz seal
- (3) Material abbreviations, 316L SS = 316L Stainless Steel
- (4) Add suffix for other seal types, PTFE = .T, Chemraz = .C, Nitrile = .N, Kalrez = .K, EPDM = .E, Silicone = .S, (e.g. SS117.221.T)
- (5) Replace the □ with the grade required, e.g. 12.32.5CK, 12.32.S20V, 12.32.T20
- (6) Replace the □ with the type required, e.g. 12.32.AS01