

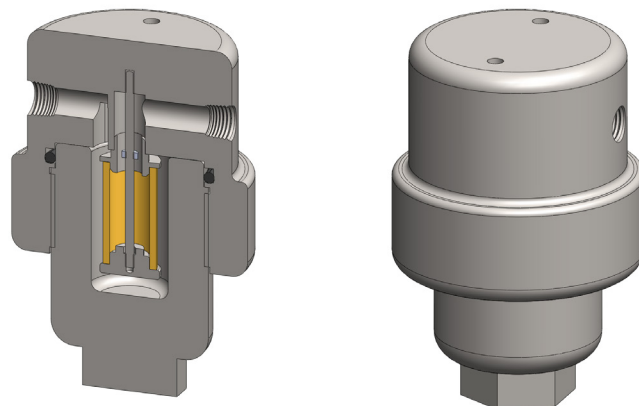
Materials 316L Stainless Steel
Pressure 10000 psi
Ports 1/8" or 1/4"
Element 12.32.□

SS119 series filter housings are specified for 1/8" & 1/4" line size applications up to 10000 psi where response times are critical. If the flow rate or contamination is higher, or where service intervals must be kept as long as possible, the SS129 series housings should be considered. For applications less than 5000 psi see the SS117 series housings.

Standard housings have NPT ports and a Viton seal. Other seal types are available as an option. BSPT and BSPP port types are also available.

The housings are free from welds and comply with NACE MR-01-75 and are CE marked in accordance with PED 97/23/EC.

These housings can also be supplied in a wide range of exotic materials, such as Hastelloy, Monel, Titanium etc.



Technical Specifications

Housing Model	SS119.101	SS119.111	SS119.201	SS119.221
Port Size	1/8" NPT	1/8" NPT	1/4" NPT	1/4" NPT
Drain	None	1/8" NPT	None	1/4" NPT
Maximum Pressure, psi (1)	10000	10000	10000	10000
Maximum Temperature, °F (2)	390	390	390	390
Materials of Construction (3)				
Head, Bowl & Internals	316L SS	316L SS	316L SS	316L SS
Seal (4)	Viton	Viton	Viton	Viton
Filter Element Code (5)	12.32.□	12.32.□	12.32.□	12.32.□
Adsorber Cartridge Code (6)	12.32.AS□	12.32.AS□	12.32.AS□	12.32.AS□
Principle Dimensions in inches				
Diameter	2.55	2.55	2.55	2.55
Height	4.35	4.35	4.35	4.35
Volume, cc	30	30	30	30
Weight, lbs	5.30	5.30	5.30	5.30
Accessories				
Support Core	SCSS11	SCSS11	SCSS11	SCSS11
Mounting Bracket	MBSS21	MBSS21	MBSS21	MBSS21

Notes

- (1) Above 390°F the pressure rating is reduced, consult us for the exact rating at any specific temperature
- (2) Maximum temperature 390°F using standard seal. For temperatures up to 615°F use a Chemraz seal
- (3) Material abbreviations, 316L SS = 316L Stainless Steel
- (4) Add suffix for other seal types, PTFE = .T, Chemraz = .C, Nitrile = N, Kalrez = .K, EPDM = .E, Silicone = .S, (e.g. SS119.221.T)
- (5) Replace the □ with the grade required, e.g. 12.32.5CK, 12.32.S20V, 12.32.T20
- (6) Replace the □ with the type required, e.g. 12.32.AS01