

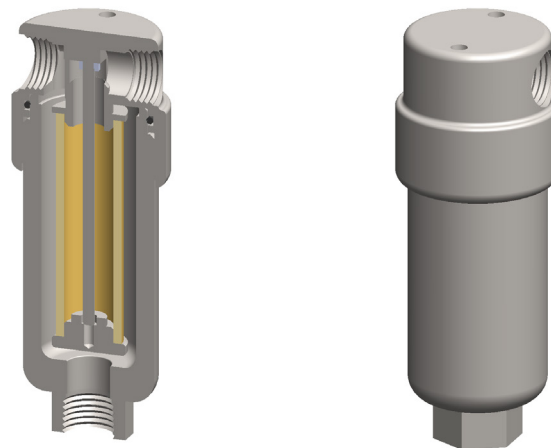
Materials 316L Stainless Steel
Pressure 5000 psi
Ports 1/8", 1/4" & 1/2"
Element 12.57.□

SS127 series filter housings are specified for general 1/8" & 1/4" line size applications. The SS117 series housings should be considered for applications where response time is critical. Higher pressure versions are available, see the SS129 series for applications up to 10000 psi.

Standard housings have NPT ports and a Viton seal. Other seal types are available as an option. BSPT and BSPP port types are also available.

The housings are free from welds and comply with NACE MR-01-75 and are CE marked in accordance with PED 97/23/EC.

These housings can also be supplied in a wide range of exotic materials, such as Hastelloy, Monel, Titanium etc.



Technical Specifications

Housing Model	SS127.101	SS127.111	SS127.201	SS127.221	SS127.401	SS127.421
Port Size	1/8" NPT	1/8" NPT	1/4" NPT	1/4" NPT	1/2" NPT	1/2" NPT
Drain	None	1/8" NPT	None	1/4" NPT	None	None
Maximum Pressure, psi (1)	5000	5000	5000	5000	5000	5000
Maximum Temperature, °F (2)	390	390	390	390	390	390
Materials of Construction (3)						
Head, Bowl & Internals	316L SS	316L SS	316L SS	316L SS	316L SS	316L SS
Seal (4)	Viton	Viton	Viton	Viton	Viton	Viton
Filter Element Code (5)	12.57.□	12.57.□	12.57.□	12.57.□	12.57.□	12.57.□
Adsorber Cartridge Code (6)	12.57.AS□	12.57.AS□	12.57.AS□	12.57.AS□	12.57.AS□	12.57.AS□
Principle Dimensions in inches						
Diameter	1.40	1.40	1.40	1.40	1.40	1.40
Height	4.05	4.05	4.05	4.05	4.05	4.05
Volume, cc	35	35	35	35	35	35
Weight, lbs	1.10	1.10	1.10	1.10	1.10	1.10
Accessories						
Support Core	SCSS12	SCSS12	SCSS12	SCSS12	SCSS12	SCSS12
Mounting Bracket	MBSS11	MBSS11	MBSS11	MBSS11	MBSS11	MBSS11

Notes

- (1) Above 390°F the pressure rating is reduced, consult us for the exact rating at any specific temperature
- (2) Maximum temperature 390°F using standard seal. For temperatures up to 615°F use a Chemraz seal
- (3) Material abbreviations, 316L SS = 316L Stainless Steel
- (4) Add suffix for other seal types, PTFE = .T, Chemraz = .C, Nitrile = .N, Kalrez = .K, EPDM = .E, Silicone = .S, (e.g. SS127.221.T)
- (5) Replace the □ with the grade required, e.g. 12.57.5CK, 12.57.S20V, 12.57.T20
- (6) Replace the □ with the type required, e.g. 12.57.AS01