

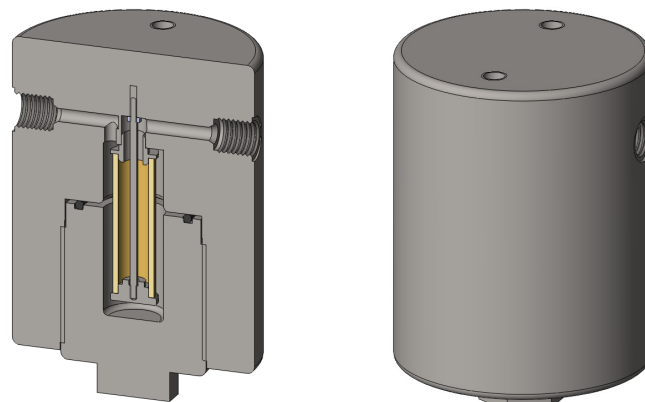
Materials 316L Stainless Steel
Pressure 15000 psi
Ports 1/4" & 3/8" C & T
Element 12.57.□

SS1210 series filter housings are specified for applications up to 20000 psi. For applications less than 10000 psi see the SS127 and SS129 series housings.

Standard housings have 1/4" & 3/8" coned and threaded ports and a Viton seal. Other port sizes and seal types are available as an option.

The housings are free from welds and comply with NACE MR-01-75 and are CE marked in accordance with PED 97/23/EC.

These housings can also be supplied in a wide range of exotic materials, such as Hastelloy, Monel, Titanium etc.



Technical Specifications

Housing Model	SS1210.205	SS1210.225	SS1210.305	SS1210.335
Port Size (1)	1/4" C & T	1/4" C & T	3/8" C & T	3/8" C & T
Drain	None	1/4" C & T	None	3/8" C & T
Maximum Pressure, psi (2)	15000	15000	15000	15000
Maximum Temperature, °F (3)	390	390	390	390
Materials of Construction (4)				
Head, Bowl & Internals	316L SS	316L SS	316L SS	316L SS
Seal (5)	Viton	Viton	Viton	Viton
Filter Element Code (6)	12.57.□	12.57.□	12.57.□	12.57.□
Adsorber Cartridge Code (7)	12.57.AS□	12.57.A5□	12.57.AS□	12.57.AS□
Principle Dimensions in inches				
Diameter	3.95	3.95	3.95	3.95
Height	5.55	5.55	5.55	5.55
Volume, cc	50	50	50	50
Weight, lbs	17.5	17.5	17.5	17.5
Accessories				
Support Core	SCSS12	SCSS12	SCSS12	SCSS12
Mounting Bracket	MBSS42	MBSS42	MBSS42	MBSS42

Notes

(1) C & T = Coned and Threaded connection

(2) Above 390°F the pressure rating is reduced, consult us for the exact rating at any specific temperature

(3) Maximum temperature 390°F using standard seal. For temperatures up to 615°F use a Chemraz seal

(4) Material abbreviations, 316L SS = 316L Stainless Steel

(5) Add suffix for other seal types, Chemraz = .C, Nitrile = N, Kalrez = .K, EPDM = .E, Silicone = .S, (e.g. SS1210.221.E)

(6) Replace the □ with the grade required, e.g. 12.57.5CK, 12.57.S20V, 12.57.T20

(7) Replace the □ with the type required, e.g. 12.57.AS01