

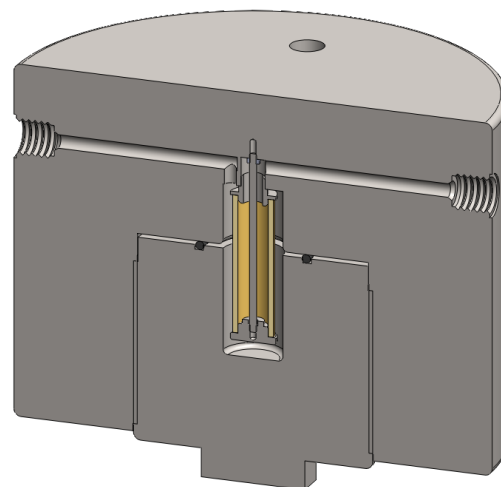
Materials	316L Stainless Steel
Pressure	20000 psi
Ports	1/4" & 3/8" C & T
Element	12.57.□

SS1211 series filter housings are specified for applications up to 20000 psi. For applications less than 10000 psi see the SS127, SS129 and SS1210 series housings.

Standard housings have 1/4" & 3/8" coned and threaded ports and a Viton seal. Other port sizes and seal types are available as an option.

The housings are free from welds and comply with NACE MR-01-75 and are CE marked in accordance with PED 97/23/EC.

These housings can also be supplied in a wide range of exotic materials, such as Hastelloy, Monel, Titanium etc.



Technical Specifications

Housing Model	SS1211.205	SS1211.225	SS1211.305	SS1211.335
Port Size (1)	1/4" C & T	1/4" C & T	3/8" C & T	3/8" C & T
Drain	None	1/4" C & T	None	3/8" C & T
Maximum Pressure, psi (2)	20000	20000	20000	20000
Maximum Temperature, °F (3)	390	390	390	390
Materials of Construction (4)				
Head, Bowl & Internals	316L SS	316L SS	316L SS	316L SS
Seal (5)	Viton	Viton	Viton	Viton
Filter Element Code (6)	12.57.□	12.57.□	12.57.□	12.57.□
Adsorber Cartridge Code (7)	12.57.AS□	12.57.A5□	12.57.AS□	12.57.AS□
Principle Dimensions in inches				
Diameter	7.85	7.85	7.85	7.85
Height	6.50	6.50	6.50	6.50
Volume, cc	50	50	50	50
Weight, lbs	81.40	81.40	81.40	81.40
Accessories				
Support Core	SCSS12	SCSS12	SCSS12	SCSS12
Mounting Bracket	MBSS428	MBSS428	MBSS428	MBSS428

Notes

(1) C & T = Coned & Threaded connection

(2) Above 390°F the pressure rating is reduced, consult us for the exact rating at any specific temperature

(3) Maximum temperature 390°F using standard seal. For temperatures up to 615°F use a Chemraz seal

(4) Material abbreviations, 316L SS = 316L Stainless Steel

(5) Add suffix for other seal types, Chemraz = .C, Nitrile = .N, Kalrez = .K, EPDM = .E, Silicone = .S, (e.g. SS1211.221.E)

(6) Replace the □ with the grade required, e.g. 12.57.5CK, 12.57.S20V, 12.57.T20

(7) Replace the □ with the type required, e.g. 12.57.AS01