

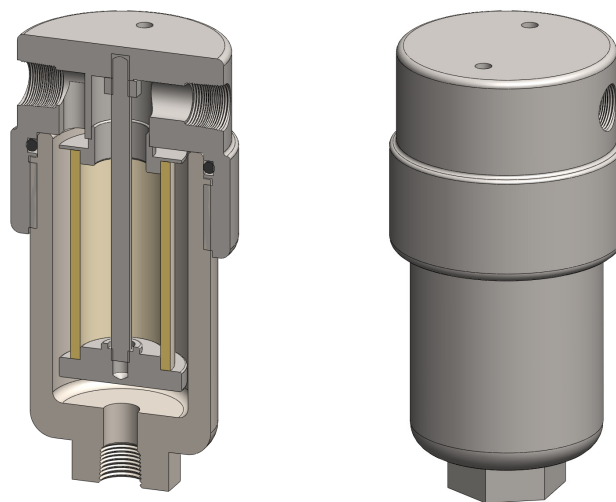
Materials 316L Stainless Steel
Pressure 3000 psi
Ports 1/4" or 1/2"
Element 25.64.□

SS216 series filter housings are specified for 3000 psi 1/4" line size applications and for 1/2" applications where response time must be kept short. If the flow rate or contamination is high, or where service intervals must be kept as long as possible, SS236 series housings should be considered. For applications less than 1500 psi see the SS215 series and for over 3000 psi see the SS218 series.

Standard housings have NPT ports and a Viton seal. Other seal types are available as an option. BSPT and BSPP port types are also available.

The housings are free from welds and comply with NACE MR-01-75 and are CE marked in accordance with PED 97/23/EC.

These housings can also be supplied in a wide range of exotic materials, such as Hastelloy, Monel, Titanium etc.



Technical Specifications

Housing Model	SS216.201	SS216.221	SS216.401	SS216.421	SS216.441
Port Size	1/4" NPT	1/4" NPT	1/2" NPT	1/2" NPT	1/2" NPT
Drain	None	1/4" NPT	None	1/4" NPT	1/2" NPT
Maximum Pressure, psi (1)	3000	3000	3000	3000	3000
Maximum Temperature, °F (2)	390	390	390	390	390
Materials of Construction (3)					
Head, Bowl & Internals	316L SS	316L SS	316L SS	316L SS	316L SS
Seal (4)	Viton	Viton	Viton	Viton	Viton
Filter Element Code (5)	25.64.□	25.64.□	25.64.□	25.64.□	25.64.□
Adsorber Cartridge Code (6)	25.64.AD□	25.64.AD□	25.64.AD□	25.64.AD□	25.64.AD□
Principle Dimensions in inches					
Diameter	2.50	2.50	2.50	2.50	2.50
Height	5.30	5.30	5.30	5.30	5.30
Volume, cc	120	120	120	120	120
Weight, lbs	4.60	4.60	4.60	4.60	4.60
Accessories					
Support Core	SCSS21	SCSS21	SCSS21	SCSS21	SCSS21
Mounting Bracket	MBSS21	MBSS21	MBSS21	MBSS21	MBSS21

Notes

- (1) Above 390°F the pressure rating is reduced, consult us for the exact rating at any specific temperature
- (2) Maximum temperature 390°F using standard seal. For temperatures up to 615°F use a Chemraz seal
- (3) Material abbreviations, 316L SS = 316L Stainless Steel
- (4) Add suffix for other seal types, PTFE = .T, Chemraz = .C, Nitrile = N, Kalrez = .K, EPDM = .E, Silicone = .S, (e.g. SS216.221.T)
- (5) Replace the □ with the grade required, e.g. 25.64.5CK, 25.64.S20V, 25.64.T20
- (6) Replace the □ with the type required, e.g. 25.64.AD01