

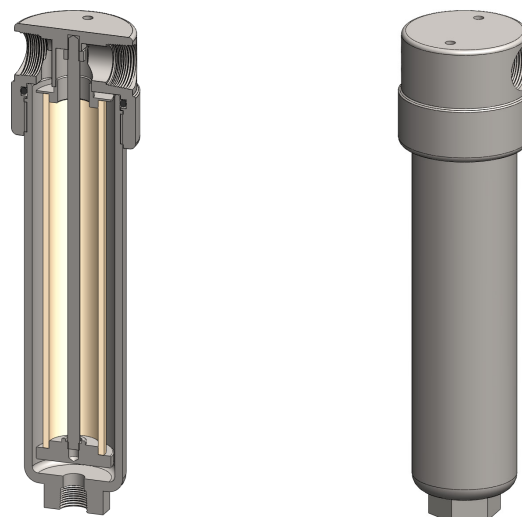
Materials 316L Stainless Steel
Pressure 1500 psi
Ports 1/4", 1/2" or 3/4"
Element 25.178.□

SS235 series filter housings are specified for 1/4" & 1/2" line size applications where contamination or the flow rate is high. Higher pressure versions are available for applications over 1500 psi, see the SS236 and SS238 series housings. The SS215 series offers a more compact design for lower flow rates.

Standard housings have NPT ports and a Viton seal. Other seal types are available as an option. BSPT and BSPP port types are also available.

The housings are free from welds and comply with NACE MR-01-75 and conform to SEP of PED 97/23/EC.

These housings can also be supplied in a wide range of exotic materials, such as Hastelloy, Monel, Titanium etc.



Technical Specifications

Housing Model	SS235.201	SS235.221	SS235.401	SS235.421	SS235.441	SS235.501	SS235.521	SS235.541
Port Size	1/4" NPT	1/4" NPT	1/2" NPT	1/2" NPT	1/2" NPT	3/4" NPT	3/4" NPT	3/4" NPT
Drain	None	1/4" NPT	None	1/4" NPT	1/2" NPT	None	1/4" NPT	1/2" NPT
Maximum Pressure, psi (1)	1500	1500	1500	1500	1500	1500	1500	1500
Maximum Temperature, °F (2)	390	390	390	390	390	390	390	390
Materials of Construction (3)								
Head, Bowl & Internals	316L SS	316L SS	316L SS	316L SS	316L SS	316L SS	316L SS	316L SS
Seal (4)	Viton	Viton	Viton	Viton	Viton	Viton	Viton	Viton
Filter Element Code (5)	25.178.□	25.178.□	25.178.□	25.178.□	25.178.□	25.178.□	25.178.□	25.178.□
Adsorber Cartridge Code (6)	25.178.AD□	25.178.AD□	25.178.AD□	25.178.AD□	25.178.AD□	25.178.AD□	25.178.AD□	25.178.AD□
Principle Dimensions in inches								
Diameter	2.35	2.35	2.35	2.35	2.35	2.75	2.75	2.75
Height	9.50	9.50	9.50	9.50	9.50	10.05	10.05	10.05
Volume, cc	265	265	265	265	265	270	270	270
Weight, lbs	4.30	4.30	4.30	4.30	4.30	6.50	6.50	6.50
Accessories								
Support Core	SCSS23	SCSS23	SCSS23	SCSS23	SCSS23	SCSS23	SCSS23	SCSS23
Mounting Bracket	MBSS21	MBSS21	MBSS21	MBSS21	MBSS21	MBSS21	MBSS21	MBSS21

Notes

- (1) Above 390°F the pressure rating is reduced, consult us for the exact rating at any specific temperature
- (2) Maximum temperature 390°F using standard seal. For temperatures up to 615°F use a Chemraz seal
- (3) Material abbreviations, 316L SS = 316L Stainless Steel
- (4) Add suffix for other seal types, PTFE = .T, Chemraz = .C, Nitrile = .N, Kalrez = .K, EPDM = .E, Silicone = .S, (e.g. SS235.221.T)
- (5) Replace the □ with the grade required, e.g. 25.178.SCK, 25.178.S20V, 25.178.T20
- (6) Replace the □ with the type required, e.g. 25.178.AD01