

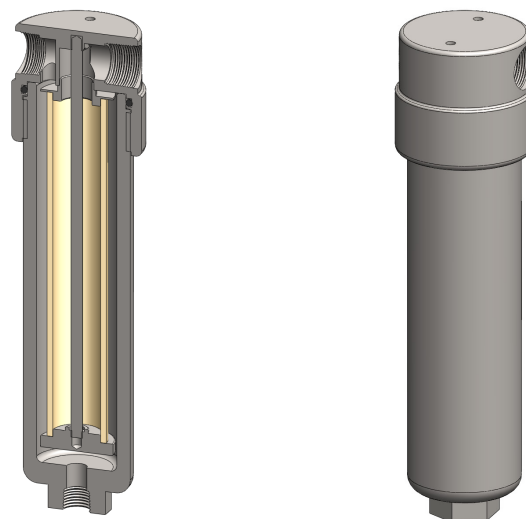
**Materials** 316L Stainless Steel  
**Pressure** 3000 psi  
**Ports** 1/4" or 1/2"  
**Element** 25.178.□

SS236 series filter housings are specified for 3000 psi 1/4" & 1/2" applications where the flow rate or contamination is high, or where service intervals must be kept as long as possible. For applications less than 1500 psi see the SS235 series and for over 3000 psi see the SS238 series housings. The SS216 series offers a more compact design for lower flows.

Standard housings have NPT ports and a Viton seal. Other seal types are available as an option. BSPT and BSPP port types are also available.

The housings are free from welds and comply with NACE MR-01-75 and are CE marked in accordance with PED 97/23/EC.

These housings can also be supplied in a wide range of exotic materials, such as Hastelloy, Monel, Titanium etc.



## Technical Specifications

Housing Model	SS236.201	SS236.221	SS236.401	SS236.421	SS236.441
Port Size	1/4" NPT	1/4" NPT	1/2" NPT	1/2" NPT	1/2" NPT
Drain	None	1/4" NPT	None	1/4" NPT	1/2" NPT
Maximum Pressure, psi (1)	3000	3000	3000	3000	3000
Maximum Temperature, °F (2)	390	390	390	390	390
<b>Materials of Construction (3)</b>					
Head, Bowl & Internals	316L SS	316L SS	316L SS	316L SS	316L SS
Seal (4)	Viton	Viton	Viton	Viton	Viton
Filter Element Code (5)	25.178.□	25.178.□	25.178.□	25.178.□	25.178.□
Adsorber Cartridge Code (6)	25.178.AD□	25.178.AD□	25.178.AD□	25.178.AD□	25.178.AD□
<b>Principle Dimensions in inches</b>					
Diameter	2.50	2.50	2.50	2.50	2.50
Height	9.80	9.80	9.80	9.80	9.80
Volume, cc	285	285	285	285	285
Weight, lbs	6.70	6.70	6.70	6.70	6.70
<b>Accessories</b>					
Support Core	SCSS23	SCSS23	SCSS23	SCSS23	SCSS23
Mounting Bracket	MBSS21	MBSS21	MBSS21	MBSS21	MBSS21

### Notes

- (1) Above 390°F the pressure rating is reduced, consult us for the exact rating at any specific temperature
- (2) Maximum temperature 390°F using standard seal. For temperatures up to 615°F use a Chemraz seal
- (3) Material abbreviations, 316L SS = 316L Stainless Steel
- (4) Add suffix for other seal types, PTFE = .T, Chemraz = .C, Nitrile = .N, Kalrez = .K, EPDM = .E, Silicone = .S, (e.g. SS236.221.T)
- (5) Replace the □ with the grade required, e.g. 25.178.SCK, 25.178.S20V, 25.178.T20
- (6) Replace the □ with the type required, e.g. 25.178.AD01