

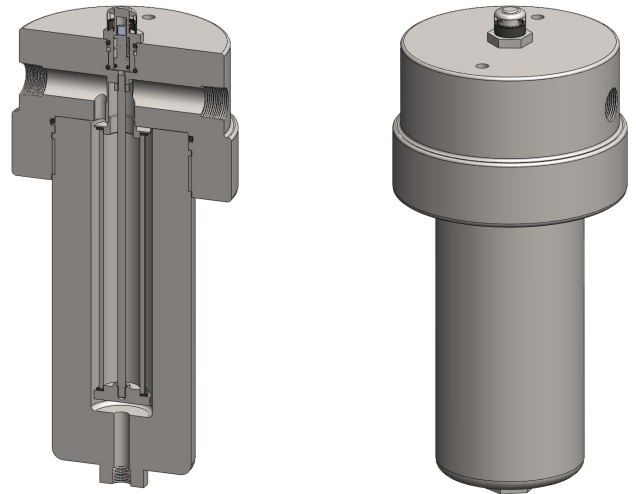
Materials 316L Stainless Steel
Pressure 10000 psi
Ports 1/4" or 1/2"
Element 25.178.□

SiS239 series filter housings with differential pressure indicators are specified for 10000 psi 1/4" and 1/2" line size applications where the flow rate or contamination is high, or where service intervals must be kept as long as possible. For lower pressures see the SS215, SS216, and SS218 series housings. The SS219 series offers a more compact design for lower flow rates.

Standard housings have NPT ports and Viton seals. Other seal types are available as an option. BSPT and BSPP port types are also available.

The housings are free from welds and comply with NACE MR-01-75 and are CE marked in accordance with PED 97/23/EC.

These housings can also be supplied in a wide range of exotic materials, such as Hastelloy, Monel, Titanium etc.



Technical Specifications

| Housing Model (1) | SiS239.201 | SiS239.221 | SiS239.401 | SiS239.421 | SiS239.441 |
|---------------------------------------|------------|------------|------------|------------|------------|
| Port Size | 1/4" NPT | 1/4" NPT | 1/2" NPT | 1/2" NPT | 1/2" NPT |
| Drain | None | 1/4" NPT | None | 1/4" NPT | 1/2" NPT |
| Maximum Pressure, psi | 10000 | 10000 | 10000 | 10000 | 10000 |
| Maximum Temperature, °F (2) | 200 | 200 | 200 | 200 | 200 |
| Materials of Construction (3) | | | | | |
| Head, Bowl & Internals | 316L SS | 316L SS | 316L SS | 316L SS | 316L SS |
| Seals (4) | Viton | Viton | Viton | Viton | Viton |
| Filter Element Code (5) | 25.178.□ | 25.178.□ | 25.178.□ | 25.178.□ | 25.178.□ |
| Adsorber Cartridge Code (6) | 25.178.AD□ | 25.178.AD□ | 25.178.AD□ | 25.178.AD□ | 25.178.AD□ |
| Principle Dimensions in inches | | | | | |
| Diameter | 5.50 | 5.50 | 5.50 | 5.50 | 5.50 |
| Height | 12.70 | 12.70 | 12.70 | 12.70 | 12.70 |
| Volume, cc | 175 | 175 | 175 | 175 | 175 |
| Weight, lbs | 47.50 | 47.50 | 47.50 | 47.50 | 47.50 |
| Accessories | | | | | |
| Support Core | SCSS23 | SCSS23 | SCSS23 | SCSS23 | SCSS23 |
| Mounting Bracket | MBSS219 | MBSS219 | MBSS219 | MBSS219 | MBSS219 |

Notes

- (1) Change part number to SeS239 for the electrical DPI version
- (2) Maximum temperature 200°F due to differential pressure indicator
- (3) Material abbreviations, 316L SS = 316L Stainless Steel
- (4) Add suffix for other seal types, Chemraz = .C, Nitrile = .N, Kalrez = .K, EPDM = .E, Silicone = .S, (e.g. SiS239.221.E)
- (5) Replace the □ with the grade required, e.g. 25.178.5CK, 25.178.S20V, 25.178.T20
- (6) Replace the □ with the type required, e.g. 25.178.AD01