

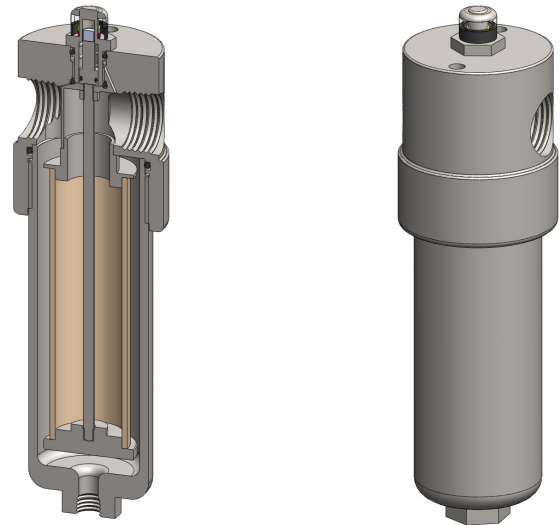
**Materials** 316L Stainless Steel  
**Pressure** 1500 psi  
**Ports** 3/4" or 1"  
**Element** 38.152.□

SS325 series filter housings with differential pressure indicator are specified for 3/4" & 1" line size applications. For applications over 1500 psi high pressure versions are available, see the SS326 and SS328 series.

Standard housings have NPT ports and Viton seals. Other seal types are available as an option. BSPT and BSPP port types are also available.

The housings are free from welds and comply with NACE MR-01-75 and conform to SEP of PED 97/23/EC.

These housings can also be supplied in a wide range of exotic materials, such as Hastelloy, Monel, Titanium etc.



## Technical Specifications

Housing Model	SiS325.501	SiS325.521	SiS325.541	SiS325.601	SiS325.621	SiS325.641
Port Size	3/4" NPT	3/4" NPT	3/4" NPT	1" NPT	1" NPT	1" NPT
Drain	None	1/4" NPT	1/2" NPT	None	1/4" NPT	1/2" NPT
Maximum Pressure, psi	1500	1500	1500	1500	1500	1500
Maximum Temperature, °F (1)	200	200	200	200	200	200
<b>Materials of Construction (2)</b>						
Head, Bowl & Internals	316L SS	316L SS	316L SS	316L SS	316L SS	316L SS
Seals (3)	Viton	Viton	Viton	Viton	Viton	Viton
Filter Element Code (4)	38.152.□	38.152.□	38.152.□	38.152.□	38.152.□	38.152.□
Adsorber Cartridge Code (5)	38.152.AD□	38.152.AD□	38.152.AD□	38.152.AD□	38.152.AD□	38.152.AD□
<b>Principle Dimensions in inches</b>						
Diameter	2.95	2.95	2.95	2.95	2.95	2.95
Height	11.20	11.20	11.20	11.20	11.20	11.20
Volume, cc	650	650	650	650	650	650
Weight, lbs	10.55	10.55	10.55	10.55	10.55	10.55
<b>Accessories</b>						
Support Core	SCSS32	SCSS32	SCSS32	SCSS32	SCSS32	SCSS32
Mounting Bracket	MBISS325	MBISS325	MBISS325	MBISS325	MBISS325	MBISS325

### Notes

- (1) Change part number to SeS325 for the electrical DPI version
- (2) Maximum temperature 200°F due to differential pressure indicator
- (3) Material abbreviations, 316L SS = 316L Stainless Steel
- (4) Add suffix for other seal types, Chemraz = .C, Nitrile = N, Kalrez = .K, EPDM = .E, Silicone = .S, (e.g. SiS325.501.E)
- (5) Replace the □ with the grade required, e.g. 38.152.5CK, 38.152.S20V, 38.152.T20
- (6) Replace the □ with the type required, e.g. 38.152.AD01