

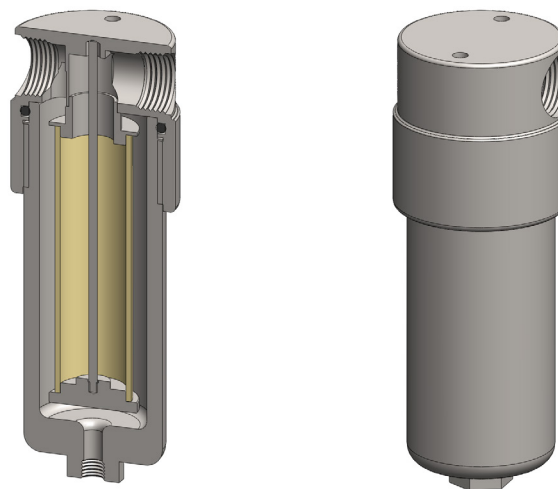
**Materials** 316L Stainless Steel  
**Pressure** 3000 psi  
**Ports** 3/4" or 1"  
**Element** 38.152.□

SS326 series filter housings are specified for 3000 psi 3/4" and 1" line size applications. For applications less than 1500 psi see the SS325 series and for over 3000 psi see the SS328 series.

Standard housings have NPT ports and a Viton seal. Other seal types are available as an option. BSPT and BSPP port types are also available.

The housings are free from welds and comply with NACE MR-01-75 and are CE marked in accordance with PED 97/23/EC.

These housings can also be supplied in a wide range of exotic materials, such as Hastelloy, Monel, Titanium etc.



## Technical Specifications

Housing Model	SS326.501	SS326.521	SS326.541	SS326.601	SS326.621	SS326.641
Port Size	3/4" NPT	3/4" NPT	3/4" NPT	1" NPT	1" NPT	1" NPT
Drain	None	1/4" NPT	1/2" NPT	None	1/4" NPT	1/2" NPT
Maximum Pressure, psi (1)	3000	3000	3000	3000	3000	3000
Maximum Temperature, °F (2)	390	390	390	390	390	390
<b>Materials of Construction (3)</b>						
Head, Bowl & Internals	316L SS	316L SS	316L SS	316L SS	316L SS	316L SS
Seal (4)	Viton	Viton	Viton	Viton	Viton	Viton
Filter Element Code (5)	38.152.□	38.152.□	38.152.□	38.152.□	38.152.□	38.152.□
Adsorber Cartridge Code (6)	38.152.AD□	38.152.AD□	38.152.AD□	38.152.AD□	38.152.AD□	38.152.AD□
<b>Principle Dimensions in inches</b>						
Diameter	3.55	3.55	3.55	3.55	3.55	3.55
Height	9.95	9.95	9.95	9.95	9.95	9.95
Volume, cc	670	670	670	670	670	670
Weight, lbs	13.65	13.65	13.65	13.65	13.65	13.65
<b>Accessories</b>						
Support Core	SCSS32	SCSS32	SCSS32	SCSS32	SCSS32	SCSS32
Mounting Bracket	MBSS326	MBSS326	MBSS326	MBSS326	MBSS326	MBSS326

### Notes

- (1) Above 390°F the pressure rating is reduced, consult us for the exact rating at any specific temperature
- (2) Maximum temperature 390°F using standard seal. For temperatures up to 615°F use a Chemraz seal
- (3) Material abbreviations, 316L SS = 316L Stainless Steel
- (4) Add suffix for other seal types, PTFE = .T, Chemraz = .C, Nitrile = .N, Kalrez = .K, EPDM = .E, Silicone = .S, (e.g. SS326.501.T)
- (5) Replace the □ with the grade required, e.g. 38.152.SCK, 38.152.S20V, 38.152.T20
- (6) Replace the □ with the type required, e.g. 38.152.AD01