

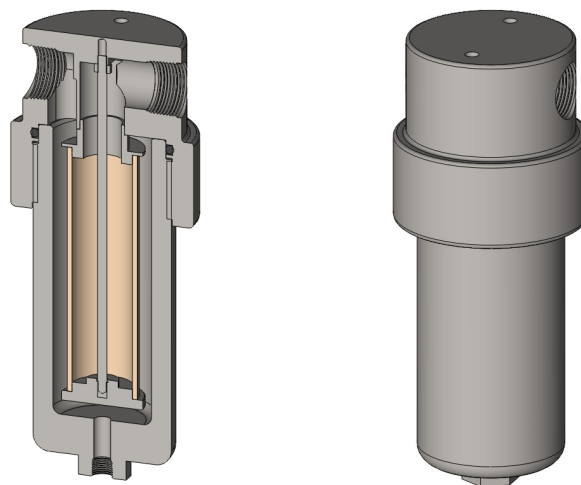
Materials 316L Stainless Steel
Pressure 5000
Ports 3/4" or 1"
Element 38.178.□

SS337 series filter housings are specified for 5000 psi 3/4" and 1" line size applications.

Standard housings have NPT ports and a Viton seal. Other seal types are available as an option. BSPT and BSPP port types are also available.

The housings are free from welds and comply with NACE MR-01-75 and are CE marked in accordance with PED 97/23/EC.

These housings can also be supplied in a wide range of exotic materials, such as Hastelloy, Monel, Titanium etc.



Technical Specifications

Housing Model	SS337.501	SS337.521	SS337.541	SS337.601	SS337.621	SS337.641
Port Size	3/4" NPT	3/4" NPT	3/4" NPT	1" NPT	1" NPT	1" NPT
Drain	None	1/4" NPT	1/2" NPT	None	1/4" NPT	1/2" NPT
Maximum Pressure, psi	5000	5000	5000	5000	5000	5000
Maximum Temperature, °F (1)	200	200	200	200	200	200
Materials of Construction (2)						
Head, Bowl & Internals	316L SS	316L SS	316L SS	316L SS	316L SS	316L SS
Seal (2)	Viton	Viton	Viton	Viton	Viton	Viton
Filter Element Code (4)	38.178.□	38.178.□	38.178.□	38.178.□	38.178.□	38.178.□
Adsorber Cartridge Code (5)	38.178.AD□	38.178.AD□	38.178.AD□	38.178.AD□	38.178.AD□	38.178.AD□
Principle Dimensions in inches						
Diameter	3.95	3.95	3.95	3.95	3.95	3.95
Height	10.80	10.80	10.80	10.80	10.80	10.80
Volume, cc	680	680	680	680	680	680
Weight, lbs	23.75	23.75	23.75	23.75	23.75	23.75
Accessories						
Support Core	SCSS33	SCSS33	SCSS33	SCSS33	SCSS33	SCSS33
Mounting Bracket	MBSS327	MBSS327	MBSS327	MBSS327	MBSS327	MBSS327

Notes

- (1) Above 390°F the pressure rating is reduced, consult us for the exact rating at any specific temperature
- (2) Maximum temperature 390°F using standard seal. For temperatures up to 615°F use a Chemraz seal
- (3) Material abbreviations, 316L SS = 316L Stainless Steel
- (4) Add suffix for other seal types, PTFE = .T, Chemraz = .C, Nitrile = .N, Kalrez = .K, EPDM = .E, Silicone = .S, (e.g. SS337.501.T)
- (5) Replace the □ with the grade required, e.g. 38.178.SCK, 38.178.S20V, 38.178.T20
- (6) Replace the □ with the type required, e.g. 38.178.AD01