

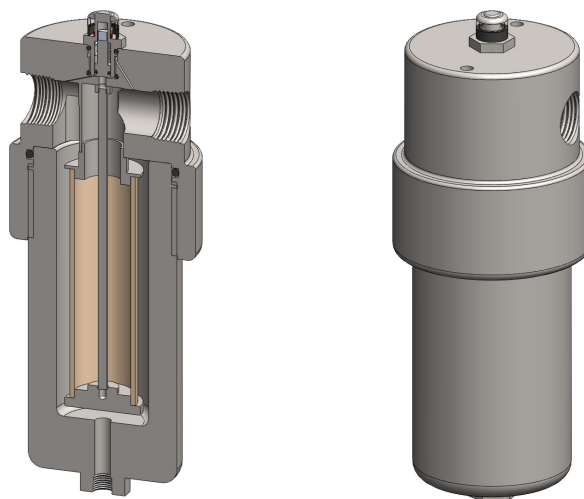
Materials 316L Stainless Steel
Pressure 6000 psi
Ports 3/4" or 1"
Element 38.152.□

The SS328 series filter housings with differential pressure indicator are specified for 6000 psi 3/4" and 1" line size applications. For applications up to 1500 psi see the SS325 series and for up to 3000 psi see the SS326 series.

Standard housings have NPT ports and Viton seals. Other seal types are available as an option. BSPT and BSPP port types are also available.

The housings are free from welds and comply with NACE MR-01-75 and are CE marked in accordance with PED 97/23/EC.

These housings can also be supplied in a wide range of exotic materials, such as Hastelloy, Monel, Titanium etc.



Technical Specifications

Housing Model (1)	SiS328.501	SiS328.521	SiS328.541	SiS328.601	SiS328.621	SiS328.641
Port Size	3/4" NPT	3/4" NPT	3/4" NPT	1" NPT	1" NPT	1" NPT
Drain	None	1/4" NPT	1/2" NPT	None	1/4" NPT	1/2" NPT
Maximum Pressure, psi	6000	6000	6000	6000	6000	6000
Maximum Temperature, °F (2)	200	200	200	200	200	200
Materials of Construction (3)						
Head, Bowl & Internals	316L SS	316L SS	316L SS	316L SS	316L SS	316L SS
Seals (4)	Viton	Viton	Viton	Viton	Viton	Viton
Filter Element Code (5)	38.152.□	38.152.□	38.152.□	38.152.□	38.152.□	38.152.□
Adsorber Cartridge Code (6)	38.152.AD□	38.152.AD□	38.152.AD□	38.152.AD□	38.152.AD□	38.152.AD□
Principle Dimensions in inches						
Diameter	4.35	4.35	4.35	4.35	4.35	4.35
Height	12.55	12.55	12.55	12.55	12.55	12.55
Volume, cc	710	710	710	710	710	710
Weight, lbs	37.20	37.20	37.20	37.20	37.20	37.20
Accessories						
Support Core	SCSS32	SCSS32	SCSS32	SCSS32	SCSS32	SCSS32
Mounting Bracket	MBSiS328	MBSiS328	MBSiS328	MBSiS328	MBSiS328	MBSiS328

Notes

- (1) Change part number to SeS328 for the electrical DPI version
- (2) Maximum temperature 200°F due to differential pressure indicator
- (3) Material abbreviations, 316L SS = 316L Stainless Steel
- (4) Add suffix for other seal types, Chemraz = .C, Nitrile = .N, Kalrez = .K, EPDM = .E, Silicone = .S, (e.g. SiS328.501.E)
- (5) Replace the □ with the grade required, e.g. 38.152.SCK, 38.152.S20V, 38.152.T20
- (6) Replace the □ with the type required, e.g. 38.152.AD01