

# SS428 & SHS428 Filter Housing

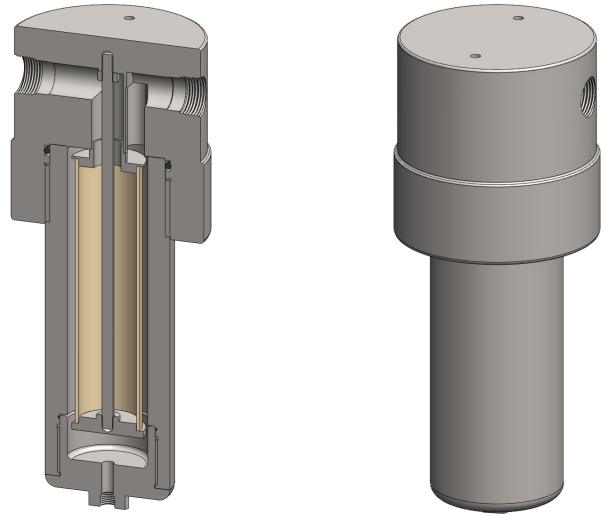
<b>Materials</b>	<b>316L Stainless Steel</b>
<b>Pressure</b>	<b>6000 psi</b>
<b>Ports</b>	<b>1" to 2"</b>
<b>Element</b>	<b>51.230.□</b>

SS428 series filter housings are specified for 1" line size applications up to 6000 psi. The SHS428 series are for 1&1/2" and 2" applications and are designed to have a full bore flow path to give higher flow rates. For applications less than 3000 psi see the SS425 and SS426 series filter housings.

Standard housings have NPT ports and Viton seals. Other seal types are available as an option. BSPT and BSPP port types are also available.

The housings are free from welds and comply with NACE MR-01-75 and are CE marked in accordance with PED 97/23/EC.

These housings can also be supplied in a wide range of exotic materials, such as Hastelloy, Monel, Titanium etc.



## Technical Specifications

Housing Model	SS428.621	SS428.641	SHS428.721	SHS428.741	SHS428.821	SHS428.841
Port Size	1" NPT	1" NPT	1&1/2" NPT	1&1/2" NPT	2" NPT	2" NPT
Drain	1/4" NPT	1/2" NPT	1/4" NPT	1/2" NPT	1/4" NPT	1/2" NPT
Maximum Pressure, psi (1)	6000	6000	6000	6000	6000	6000
Maximum Temperature, °F (2)	390	390	390	390	390	390
<b>Materials of Construction (3)</b>						
Head, Bowl & Internals	316L SS	316L SS	316L SS	316L SS	316L SS	316L SS
Seal (4)	Viton	Viton	Viton	Viton	Viton	Viton
Filter Element Code (5)	51.230.□	51.230.□	51.230.□	51.230.□	51.230.□	51.230.□
Adsorber Cartridge Code (6)	51.230.AD□	51.230.AD□	51.230.AD□	51.230.AD□	51.230.AD□	51.230.AD□
<b>Principle Dimensions in inches</b>						
Diameter	6.45	6.45	7.85	7.85	7.85	7.85
Height	16.10	16.10	19.20	19.20	19.60	19.60
Volume, cc	1450	1450	1500	1500	1500	1500
Weight, lbs	83.60	83.60	140.80	140.80	147.40	147.40
<b>Accessories</b>						
Support Core	SCSS42	SCSS42	SCSS42	SCSS42	SCSS42	SCSS42
Mounting Bracket	MBSS42	MBSS42	MBSHS428	MBSHS428	MBSHS428	MBSHS428

### Notes

- (1) Above 390°F the pressure rating is reduced, consult us for the exact rating at any specific temperature
- (2) Maximum temperature 390°F using standard seal. For temperatures up to 615°F use a Chemraz seal
- (3) Material abbreviations, 316L SS = 316L Stainless Steel
- (4) Add suffix for other seal types, Chemraz = .C, Nitrile = .N, Kalrez = .K, EPDM = .E, Silicone = .S, (e.g. SS428.621.N)
- (5) Replace the □ with the grade required, e.g. 51.230.5CK, 51.230.S20V, 51.230.T20
- (6) Replace the □ with the type required, e.g. 51.230.AD01