

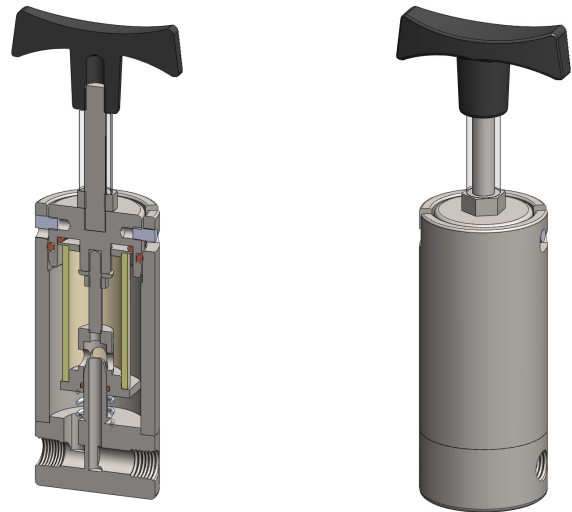
HST Series Heatable Filter Housing

Materials	316L SS
Pressure	100 psi
Ports	1/8" or 1/4"
Element	12.32.□ to 25.178.□

The HST series filter housings are designed for hot gas analysis, for example diesel exhaust. The housings can be heated by fitting a suitable heater to the body, installing in a heated enclosure. The bayonet connection allows fast filter element service even at operating temperatures.

The housings have the inlet and outlet ports in the side of the housing and a tie rod & element retainer.

Standard housings have NPT ports and include silicone seals. Viton seals are available as an option. BSPT and BSPP port types are also available.



Technical Specifications

Housing Model	HST111.101	HST111.201	HST121.101	HST121.201	HST211.201	HST231.201
Port Size	1/8" NPT	1/4" NPT	1/8" NPT	1/4" NPT	1/4" NPT	1/4" NPT
Maximum Pressure, psi	100	100	100	100	100	100
Maximum Temperature, °F	390	390	390	390	390	390
Port Position	Sides	Sides	Sides	Sides	Sides	Sides
Internals Type	Tie Rod	Tie Rod	Tie Rod	Tie Rod	Tie Rod	Tie Rod
Materials of Construction (1)						
Head & Internals	316L SS	316L SS	316L SS	316L SS	316L SS	316L SS
Seals (2)	Silicone	Silicone	Silicone	Silicone	Silicone	Silicone
Filter Element Code (3)	12.32.□	12.32.□	12.57.□	12.57.□	25.64.□	25.178.□
Principle Dimensions in inches						
Diameter	1.55	1.55	1.55	1.55	2.25	2.25
Height of Body	3.70	3.70	4.65	4.65	5.25	9.70
Length of Handle	1.75	1.75	1.75	1.75	3.55	3.55
Volume, cc	40	40	40	40	100	100
Weight, lbs	1.10	1.10	1.10	1.10	4.20	4.20

Notes

- (1) Material abbreviations, 316L SS = 316L Stainless Steel
- (2) Add suffix for other seal types, Chemraz = .C, Nitrile = N, Kalrez = .K, EPDM = .E, Viton = V (e.g. HST111.201.V)
- (3) Replace the □ with the grade required, e.g. 12.32.5S