

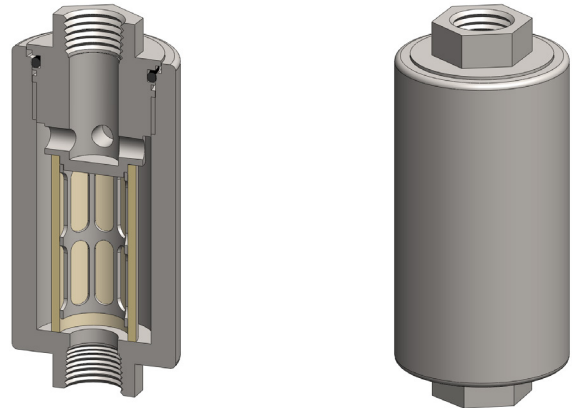
Materials	316L Stainless Steel
Pressure	1500 or 5000 psi
Ports	1/4" or 1/2"
Element	12.32.□ to 25.178.□

The SL series filter housings are specified for in-line particulate applications. They are specified for lightly contaminated gases or liquids where service intervals are long or for last-chance or back-up filters.

Standard housings have NPT ports and a Viton seal. Other seal types are available as an option. BSPT and BSPP port types are also available.

The housings are free from welds and comply with NACE MR-01-75 and are CE marked in accordance with PED 97/23/EC where required.

These housings can also be supplied in a wide range of exotic materials, such as Hastelloy, Monel, Titanium etc.



Technical Specifications

Housing Model	SL117.201	SL127.201	SL127.401	SL215.401	SL235.401
Port Size	1/4" NPT	1/4" NPT	1/2" NPT	1/2" NPT	1/2" NPT
psi (1)	5000	5000	5000	1500	1500
Maximum Temperature, °F (2)	390	390	390	390	390
Materials of Construction (3)					
Head, Bowl & Internals	316L SS	316L SS	316L SS	316L SS	316L SS
Seal (4)	Viton	Viton	Viton	Viton	Viton
Filter Element Code (5)	12.32.□	12.57.□	12.57.□	25.64.□	25.178.□
Principle Dimensions in inches					
Diameter	1.40	1.40	1.40	2.35	2.35
Height	3.40	4.35	4.40	5.30	9.75
Volume, cc	15	25	25	100	245
Weight, lbs	0.90	1.10	1.30	3.95	6.60

Notes

- (1) Above 390°F the pressure rating is reduced, consult us for the exact rating at any specific temperature
- (2) Maximum temperature 390°F using standard seal. For temperature up to 615°F use a Chemraz seal
- (3) Material abbreviations, 316L SS = 316L Stainless Steel
- (4) Add suffix for other seal types, PTFE = .T, Chemraz = .C, Nitrile = N, Kalrez = .K, EPDM = .E, Silicone = .S, (e.g. SL215.421.T)
- (5) Replace the □ with the grade required, e.g. 12.32.5K, 12.32.S20V