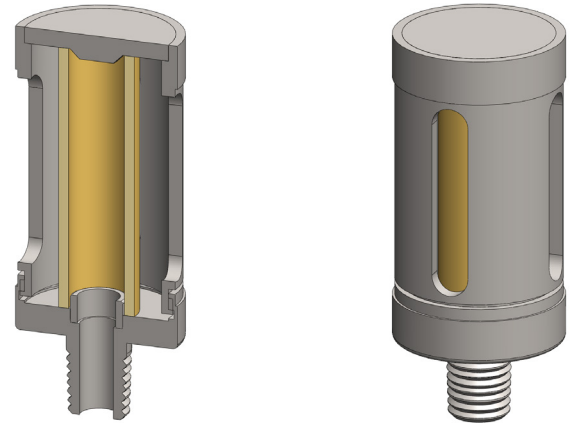


**Materials** 316L Stainless Steel  
**Ports** 1/8" to 1/4"  
**Element** 12.32.□ to 25.64.□

The SE series filter housings are constructed entirely from 316L stainless steel and supplied with a range of port sizes.

The element is enclosed for protection and the housings are suitable for gas and liquid end of line applications.

These housings have NPT ports as standard.



### Technical Specifications

Housing Model	SE110.101	SE110.201	SE120.101	SE120.201	SE210.201	SE210.401
Port Size	1/8" NPT	1/4" NPT	1/8" NPT	1/4" NPT	1/4" NPT	1/2" NPT
Maximum Temperature, °F	390	390	390	390	390	390
<b>Materials of Construction (1)</b>						
Head & Body	316L	316L	316L	316L	316L	316L
Filter Element Code (3)	12.32.□	12.32.□	12.57.□	12.57.□	25.64.□	25.64.□
Adsorber Cartridge Code (4)	12.32.AD□	12.32.AD□	12.57.AD□	12.57.AD□	25.64.AD□	25.64.AD□
<b>Principle Dimensions in inches</b>						
Diameter	1.40	1.40	1.40	1.40	1.90	1.90
Height	1.50	1.50	2.50	2.50	2.80	2.80
Weight, lbs	0.35	0.35	0.35	0.35	0.90	0.90

#### Notes

- (1) Material abbreviations, 316L = 316L Stainless Steel
- (2) Replace the □ with the grade required, e.g. 12.32.5K, 12.32.S20V, 12.32.T20