

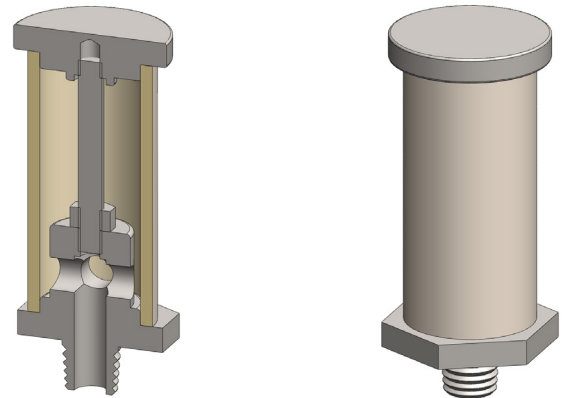
# SO Series End of Line Filter Housing

**Materials** 316L Stainless Steel  
**Ports** 1/8" to 1/2"  
**Element** 12.32.□ to 25.64.□

The SO series filter housings are constructed entirely from 316L stainless steel and are supplied with a range of connections.

The housings are suitable for gas and liquid end of line applications.

These housings have NPT male ports as standard.



## Technical Specifications

| Housing Model                         | SO110.101 | SO110.201 | SO120.101 | SO120.201 | SO210.201 | SO210.401 | SO230.201  | SO230.401  |
|---------------------------------------|-----------|-----------|-----------|-----------|-----------|-----------|------------|------------|
| Port Size                             | 1/8" NPT  | 1/4" NPT  | 1/8" NPT  | 1/4" NPT  | 1/4" NPT  | 1/2" NPT  | 1/4" NPT   | 1/2" NPT   |
| Maximum Temperature, °F               | 390       | 390       | 390       | 390       | 390       | 390       | 390        | 390        |
| <b>Materials of Construction (1)</b>  |           |           |           |           |           |           |            |            |
| Head & Body                           | 316L      | 316L      | 316L      | 316L      | 316L      | 316L      | 316L       | 316L       |
| Filter Element Code (3)               | 12.32.□   | 12.32.□   | 12.57.□   | 12.57.□   | 25.64.□   | 25.64.□   | 25.178.□   | 25.178.□   |
| Adsorber Cartridge Code (4)           | 12.32.AD□ | 12.32.AD□ | 12.57.AD□ | 12.57.AD□ | 25.64.AD□ | 25.64.AD□ | 25.178.AD□ | 25.178.AD□ |
| <b>Principle Dimensions in inches</b> |           |           |           |           |           |           |            |            |
| Diameter                              | 0.75      | 0.75      | 0.75      | 0.75      | 1.50      | 1.50      | 1.50       | 1.50       |
| Height                                | 1.55      | 1.55      | 2.55      | 2.55      | 3.00      | 3.00      | 7.50       | 7.50       |
| Weight, lbs                           | 0.20      | 0.20      | 0.20      | 0.20      | 0.35      | 0.35      | 0.35       | 0.35       |

### Notes

(1) Material abbreviations, 316L Stainless Steel

(2) Replace the □ with the grade required, e.g. 12.32.5CK, 12.32.S20V, 12.32.T20