

DG111 & DS112

Drain Vessel

Materials 316L SS & Pyrex Glass
Pressure 100 & 150 psi
Ports 1/8" or 1/4"

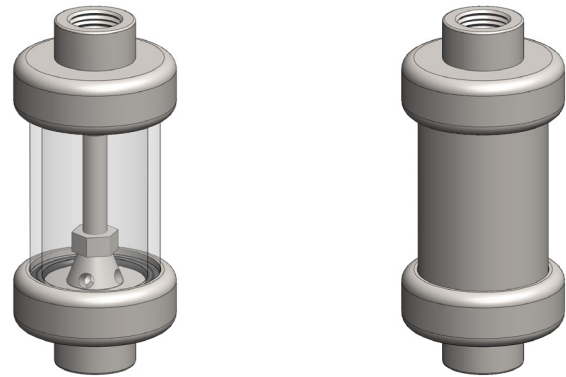
The DG111 & DS112 drain vessels are specified to increase the housing capacity in coalescing applications where an automatic float drain cannot be used.

The housings are constructed from 316L stainless steel with a stainless steel or Pyrex glass bowl. The Pyrex bowl is also fitted with a bowl guard, this is not shown.

Standard housings have NPT ports and include Viton seals. Other seal types are available as an option. BSPT and BSPP port types are also available.

The housings are free from welds and comply with NACE MR-01-75 and conform to SEP of PED 97/23/EC.

These housings can also be supplied in a wide range of exotic materials, such as Hastelloy, Monel, Titanium etc.



Bowl guard not shown

Technical Specifications

Housing Model	DG111.111	DG111.221	DS112.111	DS112.221
Port Size	1/8" NPT	1/4" NPT	1/8" NPT	1/4" NPT
Drain	1/8" NPT	1/4" NPT	1/8" NPT	1/4" NPT
Maximum Pressure, psi	100	100	150	150
Maximum Temperature, °F (1)	300	300	390	390
Materials of Construction (2)				
Head & Internals	316L SS	316L SS	316L SS	316L SS
Bowl	Pyrex	Pyrex	316L SS	316L SS
Seals (3)	Viton	Viton	Viton	Viton
Principle Dimensions in inches				
Diameter	1.55	1.55	1.55	1.55
Height	3.50	3.50	3.50	3.50
Volume, cc	25	25	25	25
Weight, lbs	0.65	0.65	0.75	0.75

Notes

(1) Maximum temperature 390°F using standard seal. For temperatures up to 615°F use a Chemraz seal (not DG types)

(2) Material abbreviations, 316L SS = 316L Stainless Steel

(3) Add suffix for other seal types, PTFE = .T, Chemraz = .C, Nitrile = N, Kalrez = .K, EPDM = .E, Silicone = .S, (e.g. DG111.221.T)