

**Materials** 316L SS  
**Pressure** 5000 psi  
**Ports** 1/8" or 1/4"

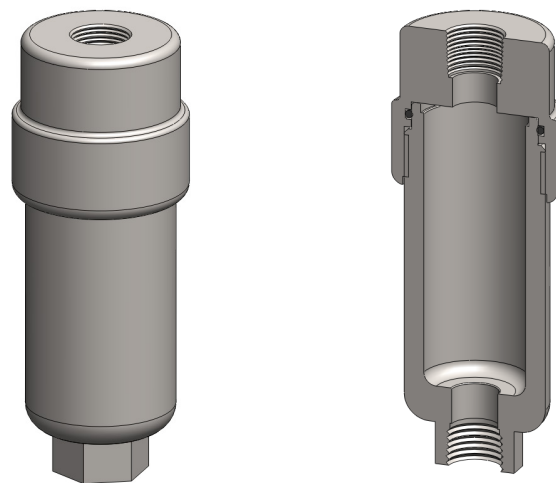
The DS127 drain vessels are specified to increase the housing capacity in coalescing applications where an automatic float drain cannot be used.

The housings are constructed from 316L stainless steel with a stainless steel or Pyrex glass bowl.

Standard housings have NPT ports and include Viton seals. Other seal types are available as an option. BSPT and BSPP port types are also available.

The housings are free from welds and comply with NACE MR-01-75 and are CE marked in accordance with PED 97/23/EC.

These housings can also be supplied in a wide range of exotic materials, such as Hastelloy, Monel, Titanium etc.



## Technical Specifications

Housing Model	DS127.111	DS127.221
Port Size	1/8" NPT	1/4" NPT
Drain	1/8" NPT	1/4" NPT
Maximum Pressure, psi	5000	5000
Maximum Temperature, °F (1)	390	390
<b>Materials of Construction (2)</b>		
Head & Internals	316L SS	316L SS
Bowl	Viton	Viton
Seals (3)		
<b>Principle Dimensions in inches</b>		
Diameter	1.55	1.55
Height	4.50	4.50
Volume, cc	35	35
Weight, lbs	0.75	0.75

### Notes

- (1) Maximum temperature 390°F using standard seal. For temperatures up to 615°F use a Chemraz seal (not DG types)
- (2) Material abbreviations, 316L SS = 316L Stainless Steel
- (3) Add suffix for other seal types, PTFE = .T, Chemraz = .C, Nitrile = N, Kalrez = .K, EPDM = .E, Silicone = .S, (e.g. DG1211.221.T)