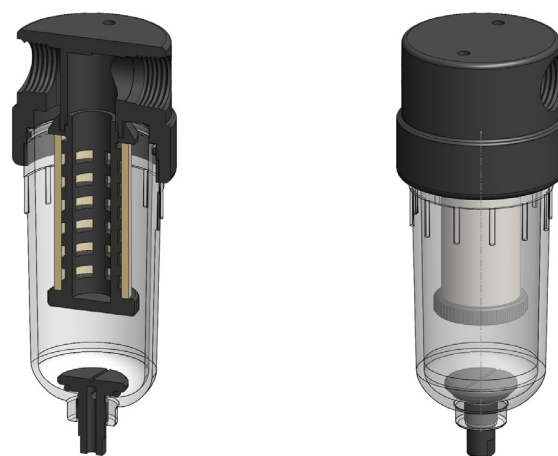


Materials	Aluminum & Polyamide
Pressure	150 psi
Ports	1/4" or 1/2"
Element	25.64.□

AN212 series filter housings have an anodised aluminum head with polyamide bowl and internals.

They are supplied with 1/4" or 1/2" ports and have a range of drain options including an automatic version. These housings are suitable for compressed air systems and general filtration applications.

Standard housings have NPT ports and Viton seals. Other seal types are available as an option. BSPT and BSPP port types are also available.



Technical Specifications

Housing Model	AN212.201	AN212.221	AN212.261	AN212.271	AN212.401	AN212.421	AN212.461	AN212.471
Port Size	1/4" NPT	1/4" NPT	1/4" NPT	1/4" NPT	1/2" NPT	1/2" NPT	1/2" NPT	1/2" NPT
Drain	None	1/4" NPT	Manual	Automatic	None	1/4" NPT	Manual	Automatic
Maximum Pressure, psi	150	150	150	150	150	150	150	150
Maximum Temperature, °F	120	120	120	120	120	120	120	120
Materials of Construction (1)								
Head	AL	AL	AL	AL	AL	AL	AL	AL
Bowl & Internals	PA	PA	PA	PA	PA	PA	PA	PA
Seals (2)	Viton	Viton	Viton	Viton	Viton	Viton	Viton	Viton
Filter Element Code (3)	25.64.□	25.64.□	25.64.□	25.64.□	25.64.□	25.64.□	25.64.□	25.64.□
Adsorber Cartridge Code (4)	25.64.AT□	25.64.AT□	25.64.AT□	-	25.64.AT□	25.64.AT□	25.64.AT□	-
Principle Dimensions in inches								
Diameter	2.45	2.45	2.45	2.45	2.45	2.45	2.45	2.45
Height	6.25	6.25	6.75	6.75	6.25	6.25	6.75	6.75
Volume, cc	140	140	140	140	140	140	140	140
Weight, lbs	0.65	0.65	0.65	0.65	0.65	0.65	0.65	0.65
Accessories								
Mounting Bracket	MBSS21	MBSS21	MBSS21	MBSS21	MBSS21	MBSS21	MBSS21	MBSS21

Notes

(1) Material abbreviations, AL = Aluminum, PA = Polyamide

(2) Add suffix for other seal types, Chemraz = .C, Nitrile = .N, Kalrez = .K, EPDM = .E, Silicone = .S, (e.g. AN212.201.E)

(3) Replace the □ with the grade required, e.g. 25.64.5CK, 25.64.S20V, 25.64.T20

(4) Replace the □ with the type required, e.g. 25.64.AT01. Adsorber cartridges are not suitable for housings with automatic drains