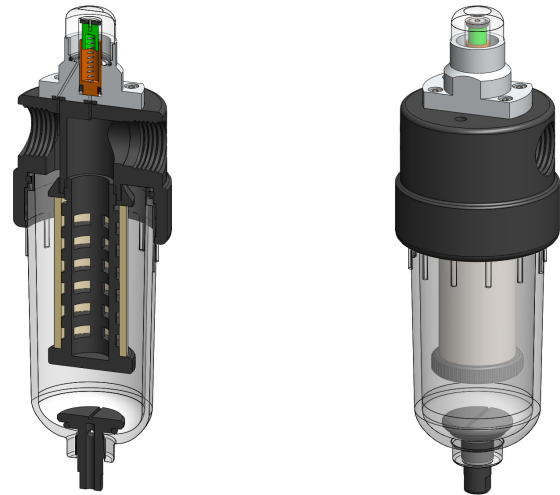


Materials Aluminum & Polyamide
Pressure 150 psi
Ports 1/4" or 1/2"
Element 25.64.□

AiN212 series filter housings with differential pressure indicators have an anodised aluminum head with polyamide bowl and internals.

They are supplied with 1/4" or 1/2" ports and have a range of drain options included an automatic version. These housings are suitable for compressed air systems and general filtration applications.

Standard housings have NPT ports and Viton seals. Other seal types are available as an option. BSPT and BSPP port types are also available.



Technical Specifications

| Housing Model | AiN212.201 | AiN212.221 | AiN212.261 | AiN212.271 | AiN212.401 | AiN212.421 | AiN212.461 | AiN212.471 |
|---------------------------------------|------------|------------|------------|------------|------------|------------|------------|------------|
| Port Size | 1/4" NPT | 1/4" NPT | 1/4" NPT | 1/4" NPT | 1/2" NPT | 1/2" NPT | 1/2" NPT | 1/2" NPT |
| Drain | None | 1/4" NPT | Manual | Automatic | None | 1/4" NPT | Manual | Automatic |
| Maximum Pressure, psi | 150 | 150 | 150 | 150 | 150 | 150 | 150 | 150 |
| Maximum Temperature, °F | 120 | 120 | 120 | 120 | 120 | 120 | 120 | 120 |
| Materials of Construction (1) | | | | | | | | |
| Head | AL | AL | AL | AL | AL | AL | AL | AL |
| Bowl & Internals | PA | PA | PA | PA | PA | PA | PA | PA |
| Seals (2) | Viton | Viton | Viton | Viton | Viton | Viton | Viton | Viton |
| Filter Element Code (3) | 25.64.□ | 25.64.□ | 25.64.□ | 25.64.□ | 25.64.□ | 25.64.□ | 25.64.□ | 25.64.□ |
| Adsorber Cartridge Code (4) | 25.64.AT□ | 25.64.AT□ | 25.64.AT□ | - | 25.64.AT□ | 25.64.AT□ | 25.64.AT□ | - |
| Principle Dimensions in inches | | | | | | | | |
| Diameter | 2.45 | 2.45 | 2.45 | 2.45 | 2.45 | 2.45 | 2.45 | 2.45 |
| Height | 7.50 | 7.50 | 7.95 | 7.95 | 7.50 | 7.50 | 7.95 | 7.95 |
| Volume, cc | 140 | 140 | 140 | 140 | 140 | 140 | 140 | 140 |
| Weight, lbs | 0.65 | 0.65 | 0.65 | 0.65 | 0.65 | 0.65 | 0.65 | 0.65 |
| Accessories | | | | | | | | |
| Mounting Bracket | MBAiN21 | MBAiN21 | MBAiN21 | MBAiN21 | MBAiN21 | MBAiN21 | MBAiN21 | MBAiN21 |

Notes

(1) Material abbreviations, AL = Aluminum, PA = Polyamide

(2) Add suffix for other seal types, Chemraz = .C, Nitrile = .N, Kalrez = .K, EPDM = .E, Silicone = .S, (e.g. AiN212.201.E)

(3) Replace the □ with the grade required, e.g. 25.64.5CK, 25.64.S20V, 25.64.T20

(4) Replace the □ with the type required, e.g. 25.64.AT01. Adsorber cartridges are not suitable for housings with automatic drains