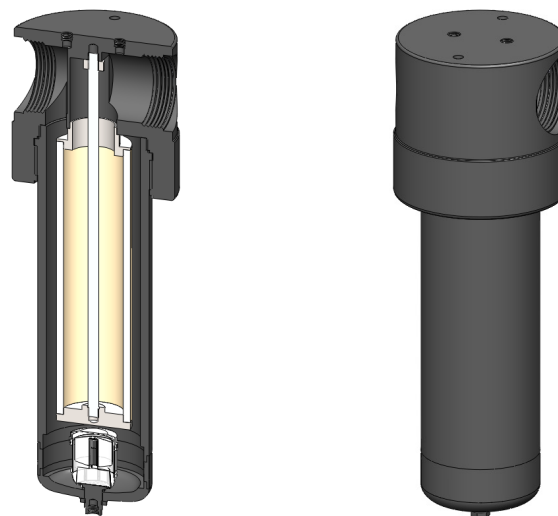


Materials Aluminum
Pressure 250 psi
Ports 1&1/2" or 2"
Element 51.230.□

The AiA423 series filter housings have anodised aluminum head, bowl and internals with a stainless steel tie rod. They are supplied with 1&1/2" or 2" ports and have a range of drain options. These housings are suitable for compressed air systems and general filtration applications.

Standard housings have NPT ports and Viton seals. Other seal types are available as an option. BSPT and BSPP port types are also available.



Technical Specifications

Housing Model	AA423.711	AA423.761	AA423.771	AA423.811	AA423.861	AA423.871
Port Size	1&1/2" NPT	1& 1/2" NPT	1&1/2" NPT	2" NPT	2" NPT	2" NPT
Drain	1/8" NPT	Manual	Automatic	1/8" NPT	Manual	Automatic
Maximum Pressure, psi	250	250	250	250	250	250
Maximum Temperature, °F	250	250	250	250	250	250
Materials of Construction (1)						
Head & Bowl	AL	AL	AL	AL	AL	AL
Internals	AL & SS	AL & SS	AL & SS	AL & SS	AL & SS	AL & SS
Seals (2)	Viton	Viton	Viton	Viton	Viton	Viton
Filter Element Code (3)	51.230.□	51.230.□	51.230.□	51.230.□	51.230.□	51.230.□
Adsorber Cartridge Code (4)	51.230.AD□	51.230.AD□	51.230.AD□	51.230.AD□	51.230.AD□	51.230.AD□
Principle Dimensions in inches						
Diameter	5.30	5.30	5.30	5.30	5.30	5.30
Height	16.0	16.5	16.5	16.0	16.5	16.5
Volume, cc	1300	1300	1300	1300	1300	1300
Weight, lbs	8.80	8.80	8.80	8.80	8.80	8.80
Accessories						
Mounting Bracket	MBAA42	MBAA42	MBAA42	MBAA42	MBAA42	MBAA42

Notes

(1) Material abbreviations, AL = Aluminum, SS = Stainless Steel

(2) Add suffix for other seal types, Chemraz = .C, Nitrile = .N, Kalrez = .K, EPDM = .E, Silicone = .S, (e.g. AA423.711.E)

(3) Replace the □ with the grade required, e.g. 51.230.5CK, 51.230.520V, 51.230.T20

(4) Replace the □ with the type required, e.g. 51.230.AD01