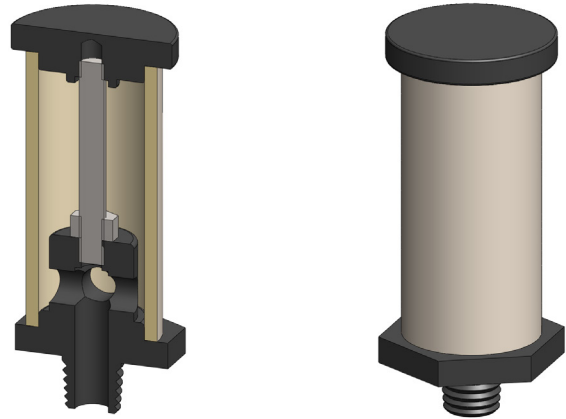


Materials Aluminum & SS
Ports 1/8" to 1/2"
Element 12.32.□ to 25.64.□

The AO series filter housings are constructed from anodised Aluminum with a stainless steel tie rod and are supplied with a range of connections.

The housings are suitable for gas and liquid end of line applications.

These housings have NPT ports as standard.



Technical Specifications

Housing Model	AE110.101	AE110.209	AE120.101	AE120.209	AE210.201	AE210.209	AE230.201	AE230.209
Port Size	1/8" NPT	∅ 1/4" Spigot	1/8" NPT	∅ 1/4" Spigot	1/2" NPT	∅ 1/4" Spigot	1/2" NPT	∅ 1/4" Spigot
Maximum Temperature, °F	250	250	250	250	250	250	250	250
Materials of Construction (1)								
Head & Retainer	AL	AL	AL	AL	AL	AL	AL	AL
Tie Rod	SS	SS	SS	SS	SS	SS	SS	SS
Filter Elements Code (2)	12.32.□	12.32.□	12.57.□	12.57.□	25.64.□	25.64.□	25.178.□	25.178.□
Adsorber Cartridge Code (3)	-	-	-	-	25.64.AD□	25.64.AD□	25.178.AD□	25.178.AD□
Principle Dimensions in inches								
Diameter	0.75	0.75	0.75	0.75	1.40	1.40	1.40	1.40
Height	1.95	1.95	2.95	2.95	3.60	3.60	8.05	8.05
Weight, lbs	0.05	0.05	0.05	0.05	0.10	0.10	0.10	0.10

Notes

- (1) Material abbreviations, AL = Aluminum, SS = Stainless Steel
- (2) Replace the □ with the grade required, e.g. 12.32.5CK, 12.32.S20V, 12.32.T20
- (3) Replace the □ with the type required, e.g. 25.64.AT01