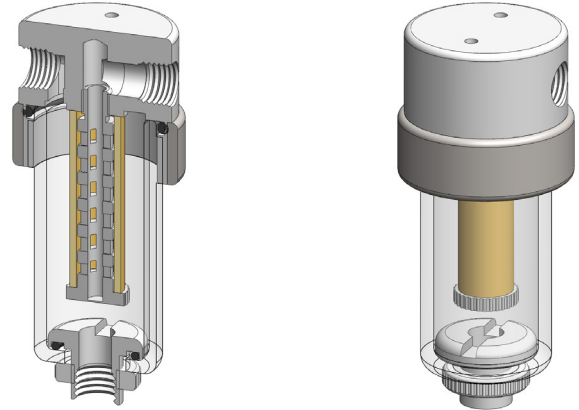


<b>Materials</b>	<b>PTFE &amp; Pyrex Glass</b>
<b>Pressure</b>	<b>100 psi</b>
<b>Ports</b>	<b>1/8" or 1/4"</b>
<b>Element</b>	<b>12.57.□</b>

FG121 series filter housings are constructed from PTFE, but use a Pyrex glass bowl so that the element can be monitored. They are specified for 1/8" & 1/4" line size applications.

Standard housings have NPT ports and a Viton seal. Other seal types are available as an option. BSPT and BSPP port types are also available.

Due to the nature of PTFE the housings are fitted with a 316L stainless steel collar on the head.



### Technical Specifications

Housing Model	FG121.101	FG121.111	FG121.201	FG121.221
Port Size	1/8" NPT	1/8" NPT	1/4" NPT	1/4" NPT
Drain	None	1/8" NPT	None	1/4" NPT
Maximum Pressure, psi	100	100	100	100
Maximum Temperature, °F	300	300	300	300
<b>Materials of Construction (1)</b>				
Head & Internals	PTFE	PTFE	PTFE	PTFE
Bowl	Pyrex Glass	Pyrex Glass	Pyrex Glass	Pyrex Glass
Seals (2)	Viton	Viton	Viton	Viton
Filter Element Code (3)	12.57.□	12.57.□	12.57.□	12.57.□
Adsorber Cartridge Code (4)	12.57.AT□	12.57.AT□	12.57.AT□	12.57.AT□
<b>Principle Dimensions in inches</b>				
Diameter	1.95	1.95	1.95	1.95
Height	4.70	4.70	4.70	4.70
Volume, cc	63	63	63	63
Weight, lbs	0.25	0.25	0.25	0.25
<b>Accessories</b>				
Mounting Bracket	MBSS11	MBSS11	MBSS11	MBSS11

#### Notes

- (1) Material abbreviations, PTFE = Polytetrafluoroethane
- (2) Add suffix for other seal types, PTFE = .T, Chemraz = .C, Nitrile = N, Kalrez = .K, EPDM = .E, Silicone = .S, (e.g. FG121.221.T)
- (3) Replace the □ with the grade required, e.g. 12.57.5CK, 12.57.T20
- (4) Replace the □ with the type required, e.g. 12.57.AT01